

MODEL FH-2

Rockwell and Universal Hardness Testing Machine

Universal



HR



HV



HB



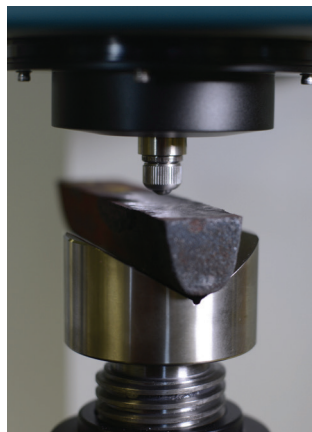
**Model FH-2-1 Rockwell/
Superficial Rockwell and
Brinell hardness tester**

Features and benefits

- Load cell, force feedback, closed loop system.
- Unparalleled rigidity.
- Unmatched gauge repeatability and reproducibility.
- Load range 1kgf up to 250kgf (2.2lbf up to 551lbf).
- Complies with all applicable EN/ISO, ASTM, and JIS standards.
- Shape correction settings for curved surfaces.
- Optical depth measuring system (Rockwell, HBT, HVT, ball indentation for plastic ISO 2039/1).
- Full-colour multi-function touch screen user-friendly interface, easy to operate.
- Go/No Go function with visual and acoustic warning.
- Large memory for measurements with statistic results.
- Easy calibration function.
- Testing program storage.
- Standard nose cone clamping attachment.
- Nine-pin serial and USB-2 outputs.
- Built-on Vickers/Brinell microscope with LED light.
- Work piece sliding table.
- Large workpiece accommodation.
- Motorized spindle (optional).

MODEL DETAILS

- **FH-002-0001** 1-250kgf Rockwell Super
Rockwell Brinell
Vickers Knoop
HBT, HVT



Specifications

Universal

HR

HV

HB

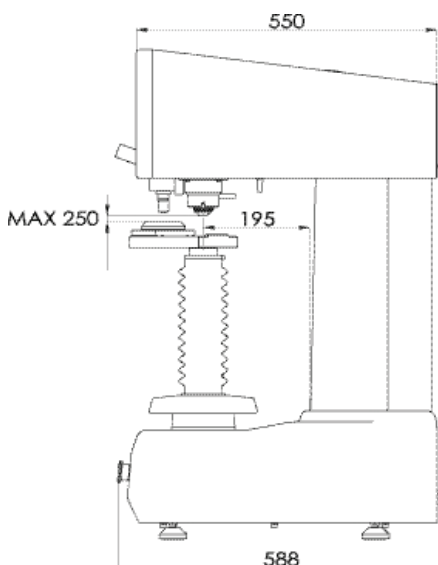
FH-2 SPECIFICATIONS	
Load application	Load cell, force feedback, closed loop system
Hardness scales FH-2-1	Rockwell/Superficial Rockwell, Brinell, Vickers, Knoop, HVT, HBT
Load range FH-2-1	1-250kgf (2.2-551lbf)
Test loads	1, 2, 2.5, 3, 5, 10, 15, 15.625, 20, 30, 31.25, 45, 50, 60, 62.5, 100, 125, 150, 187.5, 250kgf (2.2, 4.4, 5.5, 5.51, 6.6, 11, 22, 33, 34, 44, 66, 69, 79, 110, 132, 138, 220, 276, 331, 413, 551lbf)
Vickers test range	HV1, HV 2, 3, 5, 10, 20, 30, 50, 100, 120kgf (4.4, 6.6, 22, 44, 66, 110, 220lbf); HVT 50, 100 kgf (110, 220lbf)
Brinell test range	HB1/2.5, 5, 10, 31.25kgf (5.5, 11, 22, 69lbf) HB2.5/6.25, 15.625, 31.25, 62.5, 187.5kgf (14, 34, 69, 138, 413lbf) HB5/25, 62.5, 125kgf (55, 138, 276lbf) HB10/100kgf (220lbf) HBT2.5/62.5, 187.5kgf (138, 413lbf) HBT5/250kgf (551lbf)
Rockwell scales	A, B, C, D, E, F, G, H, K, L, M, P, R, S, V
Rockwell superficial scales	15N, 30N, 45N, 15T, 30T, 45T, 15W, 30W, 45W, 15X, 30X, 45X, 15Y, 30Y, 45Y
Plastic ball indentation	Meets or exceeds the requirements of ISO 2039/1
Scale resolution (depth)	0.1 micron
Display	8.5in full color industrial touch screen, testing results, statistics, can also be operated by mouse and keyboard
Standards	Complies with, or exceeds, EN/ISO, ASTM and JIS standards
Test cycles	Fully automatic, Load, Dwell, Unload
Dwell time	1-99 seconds (user defined)
Data output	USB-2 (RS232)
Specimen accommodation	Height 300mm (11.81in) Throat 200mm (7.87in)
Operating temperature range	10-35°C (50-95°F)
Operating humidity range	10-90% non-condensing
Weight	96kg (211lbs)
Power	100V to 240V AC, 50/60 Hz, single phase

STANDARD ACCESSORIES

- Built-on microscope with LED light for dark field illumination
- Installation and user manual
- Objectives for 2.5x, 5x and 10x magnification
- Sliding testing table
- Flat anvil, hardened, $\varnothing 60\text{mm}$ (2.36in)
- V-anvil hardened $\varnothing 80\text{mm}$ (3.6in)
- Fuse 3A slow (2 pcs)
- Power cable
- Certificate
- Wireless mouse and keyboard

OPTIONAL ACCESSORIES

- Certified hardness test blocks
- Certified indenters
- Long indenters
- Goose neck indenter holder
- Large testing table with T-slot
- Custom testing tables
- Precision vices, V-blocks and special clamps
- Testing table, hardened, $\varnothing 180\text{mm}$ (7.09in)
- Manual X-Y stage 100 x 60mm; micrometer travel 25 x 25mm
- Motorized spindle option
- LED ring light for Brinell testing



Model FH-2 - all measurements are in mm

