

MODEL FH-10

Universal Hardness Testing Machine

Universal



HR



HV



HB



Model FH-10 Universal Hardness Tester with video indent measuring system

Features and benefits

- All hardness procedures according to global standards – Rockwell, Superficial Rockwell, Brinell, Vickers, and Knoop – also ball and indentation hardness testing for thermoplastics and the new Vickers depth (HVT) and Brinell depth (HBT) procedures.
- Superior range of testloads/force application ranging from 500g* to 250kg (1.1-551.2lbf).
- All procedures comply with EN/DIN/ISO, ASTM, and JIS.
- Industrial touchscreen, embedded high performance controller and two solid state HD drives.
- Automatic video indent measurement and magnification function.
- Bright LED illumination (ringlight optional).
- Connectivity: USB, RS232, UTP-R45-LAN, WLAN.
- Horizon advanced hardness testing software, includes file storage, test program storage, machine settings storage, etc.
- Includes workpiece clamping attachment.
- High precision spindle.



Model FH-10 firmware

MODEL DETAILS

- **FH-010-0000** 500gf-250kgf Universal Hardness Tester

Specifications

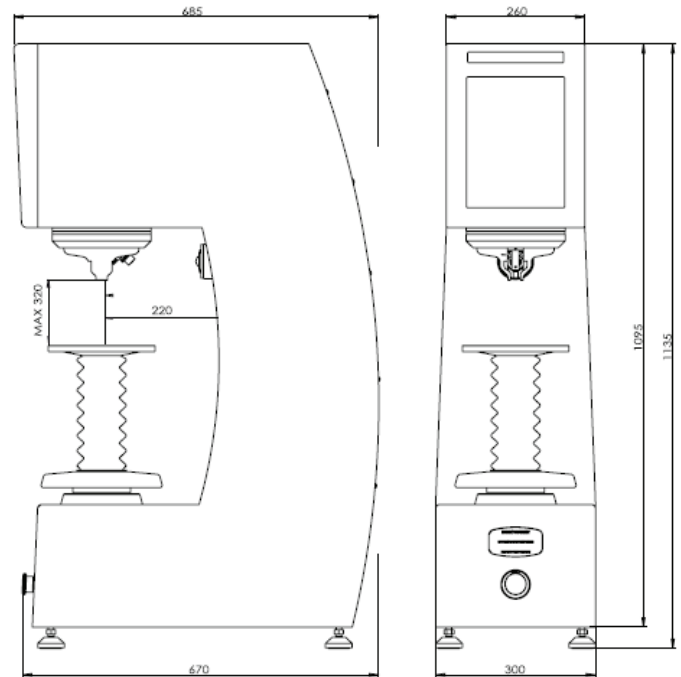
Universal

HR

HV

HB

| FH-10 SPECIFICATIONS | |
|-----------------------------|--|
| Hardness scales | Brinell, Vickers, Rockwell, Super-Rockwell, Knoop, Vickers depth (HVT), Brinell depth (HBT), Plastic |
| Optical | 5 megapixel HD camera, indent zoom function |
| Display | High resolution industrial 15" LCD touchscreen |
| Controller | Embedded high performance system controller with data storage (optional) |
| Firmware | Horizon advanced hardness testing operating system including options for: manual measurement, automatic measurement, indent zoom function, scale conversion, file storage, report printing, test program storage, machine settings storage, graphic interface for swivel system position |
| Standards | Conforms with ISO 6506, 6507, 6508, 4545, ASTM E18, E92, E10, and JIS |
| Test load type | Load cell closed loop, force feedback system |
| Test cycle | Automatic and indent evaluation |
| Test loads | 1 kgf/9.8 N/2.2lbf to 250 kgf/2.45 kN/551lbf |
| Brinell test range | HB1/1kgf, 2.5kgf, 5kgf, 10kgf, 30kgf HB2.5/6.25kgf, 15.625kgf, 31.25kgf, 62.5kgf, 187.5kgf HB5/25kgf, 62.5kgf, 125kgf, 250kgf HB10/100kgf, 250kgf |
| Vickers test procedures | HV (0.5*) 1, 2, 3, 5, 10, 20, 30, 50, 100, 120 (*optional) |
| Rockwell test procedures | A, B, C, D, E, F, G, H, K, L, M, P, R, S, V, 15N, 30N, 45N, 15T, 30T, 45T, 15W, 30W, 45W, 15X, 30X, 45X, 15Y, 30Y, 45Y |
| Indenter types (optional) | Brinell Balls: 1, 2.5, 5mm (0.03937, 0.098425, 0.19685in) Vickers Diamond: 136° Rockwell Diamond Cone: 120° Balls: 1/16in, 1/8in, 1/4in, 1/2in (1.5875, 3.175, 6.35, 12.7mm) |
| Load duration | 0.1-255 seconds |
| Connectivity | USB-2(4), UTP RJ45, LAN, WLAN |
| Specimen accommodation | Maximum test height 320mm (12.59in), maximum throat 220mm (8.66in) |
| Operating temperature range | 10-35°C (50-95°F) |
| Operating humidity range | 10-90% non-condensing |
| Weight | 178kg (392.4lb) |
| Power supply | 110 to 240V AC, 50/60Hz, single phase |



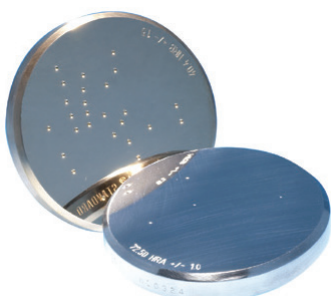
Model FH-10 – all measurements are in mm

STANDARD FEATURES

- 6.3x objective (95x magnification)
- 10x objective (150x magnification)
- Clamping protection nose
- Testing table ø80mm (3.15in)
- Power cable
- Installation and user manual
- Certificate

OPTIONAL ACCESSORIES

- Certified indenters
- Certified hardness test blocks
- optional objectives
- Testing table ø150mm (5.9in)
- Testing table ø235mm (9.25in)
- V-anvil ø180mm (7.1in)
- V-anvil ø120mm (4.72in)
- Other testing tables and XY-stages
- Precision vises, V-blocks and special clamps
- Software solutions for advanced application
- Precision vises for small parts
- Manual XY stage
- Motorised XY stage (250kg load capacity)
- 450 x 350mm large testing table with T slots



Test blocks



Available indenters